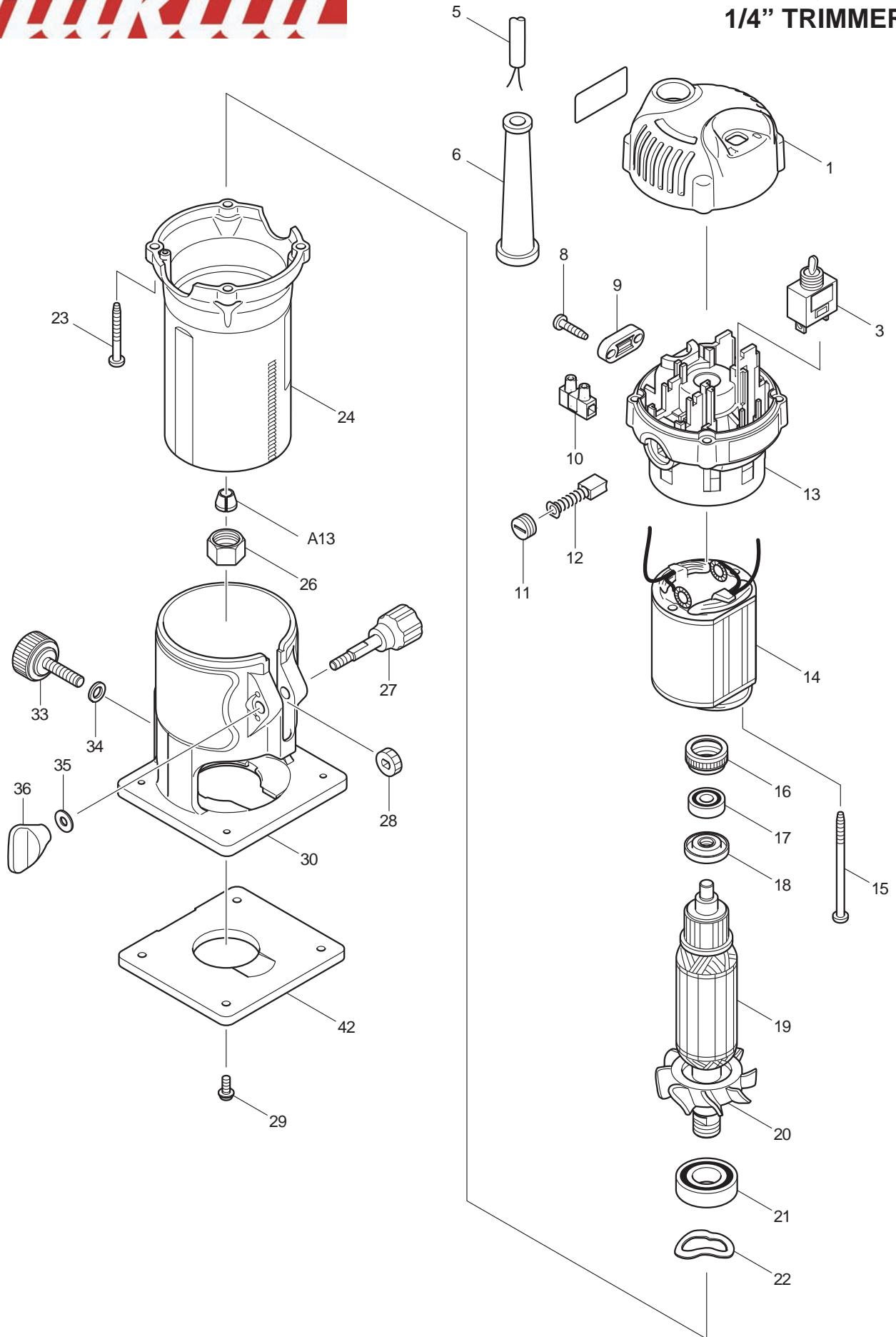




08 - 2010
3709, 3709X
1/4" TRIMMER



Item No	Type	Ref	Part No	Description	Qty	Unit
1			419137-6	TOP COVER	1	PC.
3			651425-7	SWITCH STL115ADT	1	PC.
5			664891-9	CORD WITH PLUG 2P-18-2.5M	1	PC.
6			682569-2	CORD GUARD 8-85	1	PC.
8			266326-2	TAPPING SCREW 4X18	2	PC.
9			687123-7	STRAIN RELIEF	1	PC.
10			654532-5	TERMINAL BLOCK 1P	1	PC.
11			643550-8	BRUSH HOLDER CAP 5-8	2	PC.
12	1		191938-1	CARBON BRUSH CB-408, 2PCS/SET (W/O ORIGIN) - N/L/A	1	SET
	2		195008-8	CARBON BRUSH CB-408 2PC/SET (W/ ORIGIN)	1	SET
13			154807-7	BRACKET COMPLETE	1	PC.
		INC.	643455-2	BRUSH HOLDER 6X9	2	PC.
14			590017-6	FIELD ASS'Y 115V (OLD# 593591-3)	1	PC.
		INC.	654100-4	RING TERMINAL	2	PC.
		INC.	654501-6	CONNECTOR P-1.25	2	PC.
15			266340-8	TAPPING SCREW 4X65	2	PC.
16			421494-0	RUBBER RING 19	1	PC.
17			210034-7	BALL BEARING 607LLB	1	PC.
18			681668-7	RESIN WASHER	1	PC.
19			515631-7	ARMATURE ASS'Y 115V	1	PC.
		INC.		Item No. 17,18,20,21		
20			241667-7	FAN 52	1	PC.
21			211223-7	BALL BEARING 6002DDW	1	PC.
22			267785-3	WAVE WASHER 23	1	PC.
23			266351-3	TAPPING SCREW 4X35	4	PC.
24			154668-5	MOTOR HOUSING COMPLETE	1	PC.
		INC.	816817-9	SCALE LABEL	1	PC.
26			763661-4	COLLET NUT 6	1	PC.
27			265771-8	THUMB SCREW M5X33	1	PC.
28			226217-9	SPUR GEAR 16	1	PC.
29			265142-9	+ PAN HEAD SCREW M4X10 (F/3709)	4	PC.
29			912112-6	COUNTERSUNK HEAD SCREW M4X10 (F/ 3709X)	4	PC.
30			419138-4	BASE	1	PC.
33			265763-7	THUMB SCREW M6X25	1	PC.
34			941151-9	FLAT WASHER 6	1	PC.
35			941101-4	FLAT WASHER 5	1	PC.
36			252652-5	THUMB NUT M5	1	PC.
42			410585-2	BASE PROTECTOR, CLEAR (FOR 3709)	1	PC.
42			411114-4	BASE PROTECTOR, BLACK (FOR 3709X)	1	PC.
100			652040-0	+ PAN HEAD SCREW M3.5X6	2	PC.
101			654037-5	INSULATED TERM. FK1.25-M3	2	PC.

Item No	Type	Ref	Part No	Description	Qty	Unit
ACCESSORIES						
- See catalogue or visit www.makita.ca for more optional accessories -						
A01	1		122389-7	TRIMMER GUDE ASS'Y (TYPE1)	1	PC.
		INC.	312650-2	TRIMMER GUIDE (INCLUDES No.C10 - C90)	1	PC.
		C10	251819-2	SCREW M6	1	PC.
		C20	912116-8	COOUNTERSUNK HEAD SCREW M4X12	1	PC.
		C30	341136-9	HOOK	1	PC.
		C40	251420-3	- FLAT HEAD SCREW M5 - N/L/A	1	PC.
		C50	323495-3	ROLLER 11	1	PC.
		C60	312396-0	GUIDE HOLDER	1	PC.
		C70	941151-9	FLAT WASHER 6	1	PC.
		C80	253903-9	WAVE WASHER 6	1	PC.
		C90	251815-0	SCREW M6X25	1	PC.
A01	2		122703-7	TRIMMER GUIDE ASS'Y (TYPE2)	1	PC.
		INC.	317789-6	TRIMMER GUIDE (INCLUDES No.C10 - C80)		
		C10	251471-6	- FLAT HEAD SCREW M5	1	PC.
		C20	265135-6	+ COUNTERSUNK HEAD SCREW M4X10	1	PC.
		C30	265763-7	THUMB SCREW M6X25	1	PC.
		C40	265764-5	THUMB SCREW M6	1	PC.
		C50	317788-8	GUIDE HOLDER	1	PC.
		C60	324378-0	ROLLER 11	1	PC.
		C70	345430-1	HOOK (TYPE1) - N/L/A	1	PC.
		C70	341136-9	HOOK (TYPE2)	1	PC.
		C80	941151-9	FLAT WASHER 6	1	PC.
A02			122704-5	STRAIGHT GUIDE ASS'Y	1	PC.
		INC.	252649-4	THUMB NUT M6	1	PC.
		INC.	266339-3	CAP SQUARE NECK BOLT M6X20	1	PC.
		INC.	345432-7	GUIDE PLATE (TYPE1) - N/L/A	1	PC.
		INC.	343593-7	GUIDE PLATE (TYPE2)	1	PC.
A03	1		345433-5	TEMPLET GUIDE 10 - N/L/A	1	PC.
	2		343577-5	TEMPLET GUIDE 10	1	PC.
A04			781036-5	WRENCH 10	1	PC.
A05			781037-3	WRENCH 17	1	PC.
A06			418647-0	CHIP DEFLECTOR	1	PC.
A07			733238-9	STRAIGHT BIT 6E	1	PC.
A08			823293-0	ALUMINUM CARRYING CASE	1	PC.
A09			194267-1	TRIMMER BASE ASSY	1	PC.
		INC.		Item No. 27-30, 33-36, 42		
A10			783208-8	HEX.WRENCH 2.5	1	PC.
A11			421345-7	JOINT	1	PC.
A12			155263-4	TRIMMER SHOE	1	PC.
A13			763663-0	COLLET CONE 6.35	1	PC.
A14			122753-2	TILT TRIMMER BASE ASSY (See Partsbreakdown 122753-2)	1	PC.